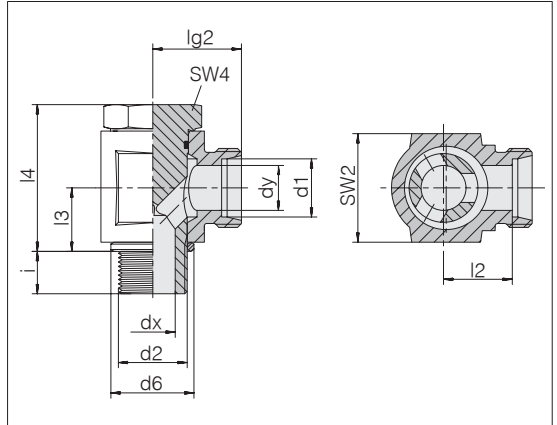


Banjo couplings

Unrestricted flow design with eccentric flow channel

Male thread: metric fine thread, parallel
 For threaded bores: ISO 9974-1 (Form N - narrow)
 Sealing type: Seal-edge ring (Form B)
 Sealing material: Standard NBR

Tube coupling: 24° in acc. with ISO 8434-1



Series	d2	Pressure	d6	dx	dy	lg2	l2	l3	l4	SW2	SW4	i	Nm -10 %	kg/100 ca.	Order-No.	Designation
Tube OD d1																
L 6	M 10 x 1	PB 500	14	4	4	19	12	10.5	25.3	19	14	8	30	5.1	1155002081	24-BEE-L6-M10B
L 8	M 12 x 1.5	PB 400	17	6	6	21.5	14.5	14	31.5	22	17	12	42	9.5	1155052081	24-BEE-L8-M12B
L 10	M 14 x 1.5	PB 350	19	8	8	22.5	15.5	14	33	22	19	12	42	9.9	1155102081	24-BEE-L10-M14B
L 10	M 18 x 1.5	PB 315	23	12	8	22.5	20	18.5	42.5	30	24	12	70	20.6	1154952081	24-BEE-L10-M18B
L 12	M 16 x 1.5	PB 350	21	10	10	25	18	16.5	38.5	27	22	12	60	16.3	1155152081	24-BEE-L12-M16B
L 12	M 18 x 1.5	PB 315	23	12	10	27	20	18.5	42.5	30	24	12	70	20.7	1155172081	24-BEE-L12-M18B
L 15	M 18 x 1.5	PB 315	23	12	12	28	21	18.5	42.5	30	24	12	70	21.6	1155202081	24-BEE-L15-M18B
L 15	M 22 x 1.5	PB 315	27	15	12	29	22	21.5	47.5	36	27	14	160	29.8	1155222081	24-BEE-L15-M22B
L 18	M 22 x 1.5	PB 315	27	15	15	29	21.5	21.5	47.5	36	27	14	160	29.8	1155252081	24-BEE-L18-M22B
L 22	M 26 x 1.5	PB 200	31	19	19	33.5	26	24	55.5	41	32	16	140	46.4	1155302081	24-BEE-L22-M26B
L 28	M 33 x 2	PB 200	39	24	24	39	31.5	30.5	68	50	41	18	350	88.3	1155352081	24-BEE-L28-M33B
L 35	M 42 x 2	PB 200	49	30	30	46	35.5	35.5	78	60	50	20	500	145.6	1155402081	24-BEE-L35-M42B
L 42	M 48 x 2	PB 200	55	36	36	51	40	40.5	88.5	70	60	22	600	215.4	1155452081	24-BEE-L42-M48B
S 6	M 12 x 1.5	PB 500	17	4	4	23.5	16.5	14	30.5	22	17	12	57	9.9	1155502081	24-BEE-S6-M12B
S 8	M 14 x 1.5	PB 450	19	5	5	23.5	16.5	14	31	22	19	12	90	10.9	1155552081	24-BEE-S8-M14B
S 10	M 16 x 1.5	PB 400	21	7	7	26	18.5	16.5	37	27	22	12	100	17.0	1155602081	24-BEE-S10-M16B
S 12	M 18 x 1.5	PB 400	23	8	8	28	20.5	18.5	40	30	24	12	130	22.9	1155652081	24-BEE-S12-M18B
S 14	M 20 x 1.5	PB 400	25	10	10	31	23	20	43	32	27	14	160	28.5	1155702081	24-BEE-S14-M20B
S 16	M 22 x 1.5	PB 400	27	12	12	31	22.5	21.5	47	36	27	14	180	32.0	1155752081	24-BEE-S16-M22B
S 20	M 22 x 1.5	PB 400	27	12	16	38	27.5	25	55	46	27	14	180	58.5	1154942081	24-BEE-S20-M22B
S 20	M 27 x 2	PB 400	32	16	16	38	27.5	24	55	46	36	16	300	59.6	1155802081	24-BEE-S20-M27B
S 25	M 33 x 2	PB 250	39	20	20	43	31	30.5	66.5	50	41	18	380	94.8	1155852081	24-BEE-S25-M33B
S 30	M 42 x 2	PB 250	49	25	25	50	36.5	35.5	75.5	60	50	20	600	154.0	1155902081	24-BEE-S30-M42B
S 38	M 48 x 2	PB 250	55	32	32	57	41	40.5	86.5	70	60	22	750	231.7	1155952081	24-BEE-S38-M48B

¹⁾ Standard size

Example for comp. :
WH06LMOMD

